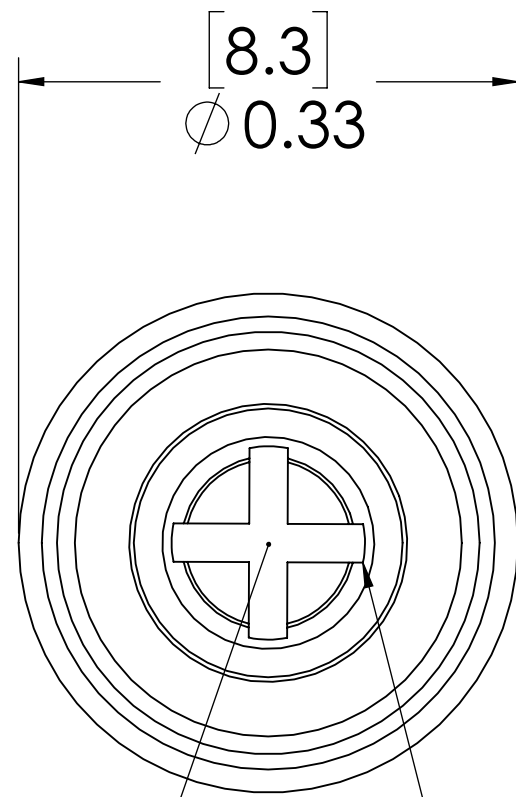
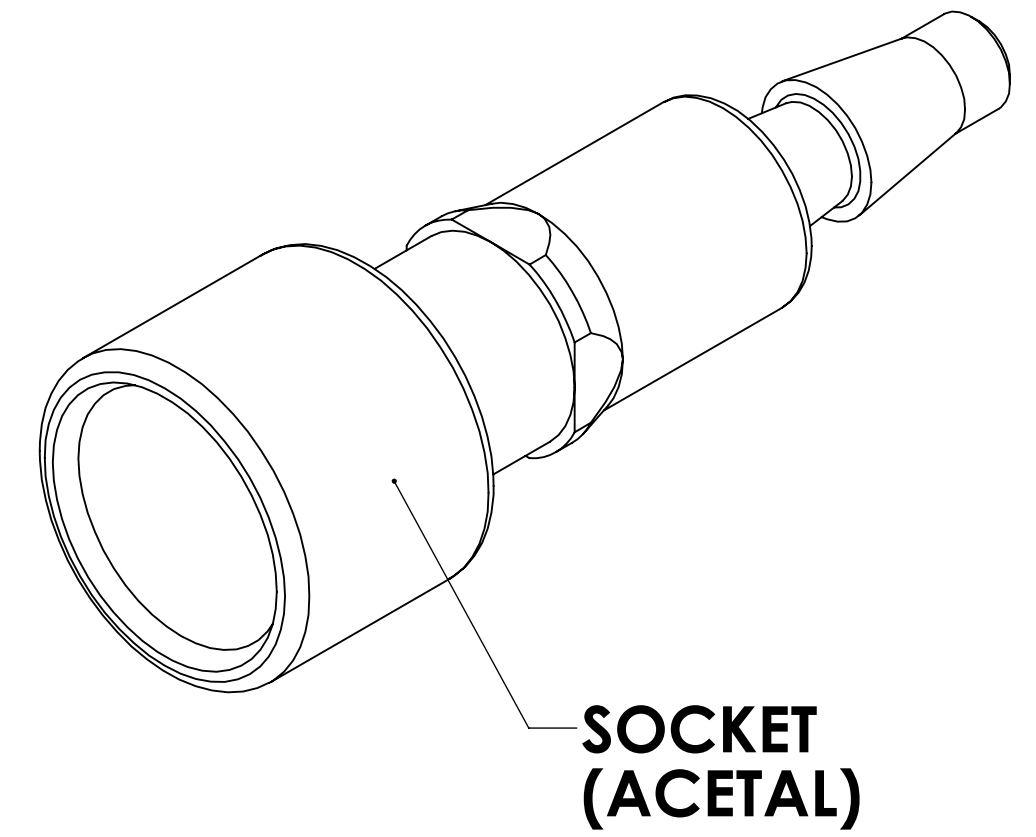
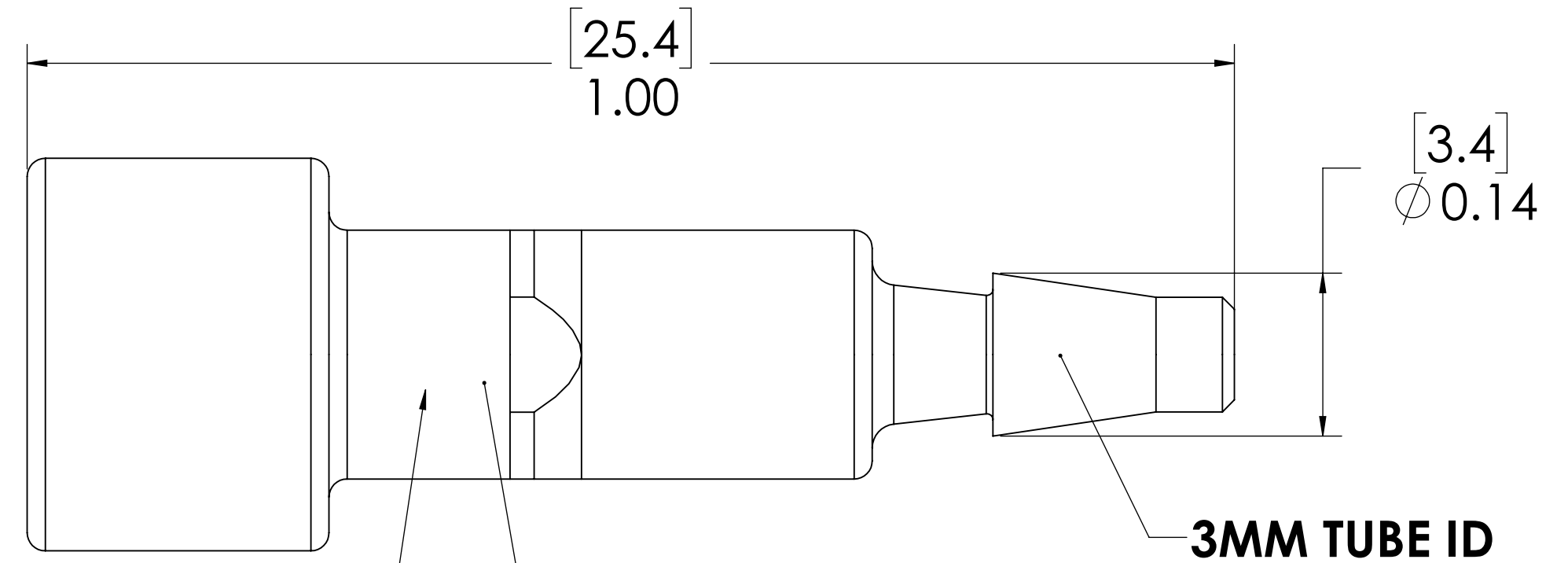


REVISIONS						
SHEET	ZONE	REV.	ECO	DESCRIPTION	DATE	APPROVED
1	ALL	A	50253	UPDATE DWG TO CURRENT FORMAT & STANDARDS	10/30/2018	HRC



**VALVE
(ACETAL)**

**VALVE CAP
INTERNAL
(STAINLESS STEEL)**



**VALVE O-RING
INTERNAL
(BUNA-N)**


**VALVE SPRING
INTERNAL
(STAINLESS STEEL)**

3MM TUBE ID

NOTES:

1. MATERIAL: ACETAL
2. COLOR: BLACK
3. O-RING MATERIAL: BUNA-N
4. O-RINGS LUBRICATED WITH FOOD GRADE SILICONE OIL, 350 CST.

FOR REFERENCE ONLY

<small>UNLESS OTHERWISE SPECIFIED: DIMENSIONS ARE IN INCHES TOLERANCES: FRACTIONAL ± 1/32 ANGULAR: MACH ± 0.5 BEND ± 2 ONE PLACE DECIMAL ± 0.1 TWO PLACE DECIMAL ± 0.01 THREE PLACE DECIMAL ± 0.005 TWO PLACE DUAL (mm) [± 0.12]</small>	DRAWN	LMP	5/4/2018	 PART NO: 10ACV-SB2-M3NSBLK DESCRIPTION: LinkTech 10AC Series Inline Coupling, Valved, 3M HB, No Sleeve, Black									
	CHECKED	HRC	5/4/2018										
	ENG APPR.	HRC	10/30/18										
	MFG APPR.	BDB	10/30/18										
PRODUCTION	LS	10/30/18	COMMENTS:	<table border="1"> <tr> <td>SIZE</td> <td>DWG. NO.</td> <td>REV</td> </tr> <tr> <td>C</td> <td>10AC100094</td> <td>A</td> </tr> <tr> <td>SCALE: NTS</td> <td>WEIGHT:</td> <td>SHEET 1 OF 1</td> </tr> </table>	SIZE	DWG. NO.	REV	C	10AC100094	A	SCALE: NTS	WEIGHT:	SHEET 1 OF 1
SIZE	DWG. NO.	REV											
C	10AC100094	A											
SCALE: NTS	WEIGHT:	SHEET 1 OF 1											
<small>PROPRIETARY AND CONFIDENTIAL THE INFORMATION CONTAINED IN THIS DRAWING IS THE SOLE PROPERTY OF LINKTECH LLC. ANY REPRODUCTION OR DISCLOSURE IN PART OR AS A WHOLE WITHOUT THE WRITTEN PERMISSION OF LINKTECH LLC IS STRICTLY PROHIBITED.</small>													